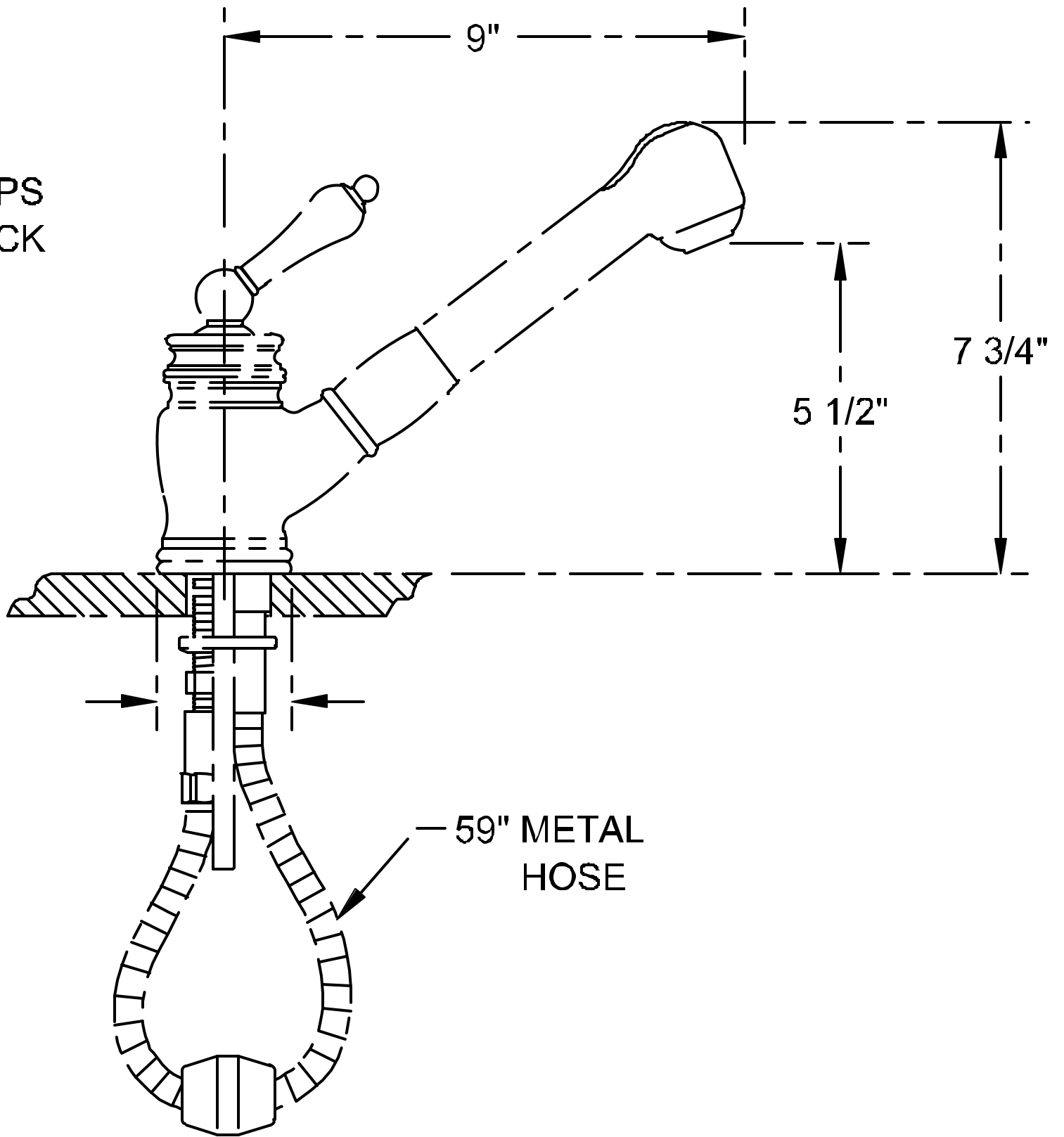


FITS SINK TOPS  
UP TO 1 5/8" THICK

1 1/4" DIA.  
HOLE IN SINK  
REQUIRED

2 3/8" DIA.



KHP-115